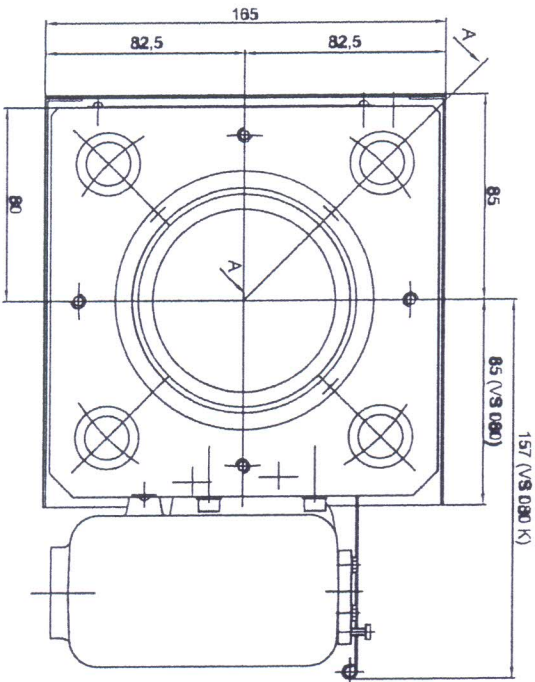
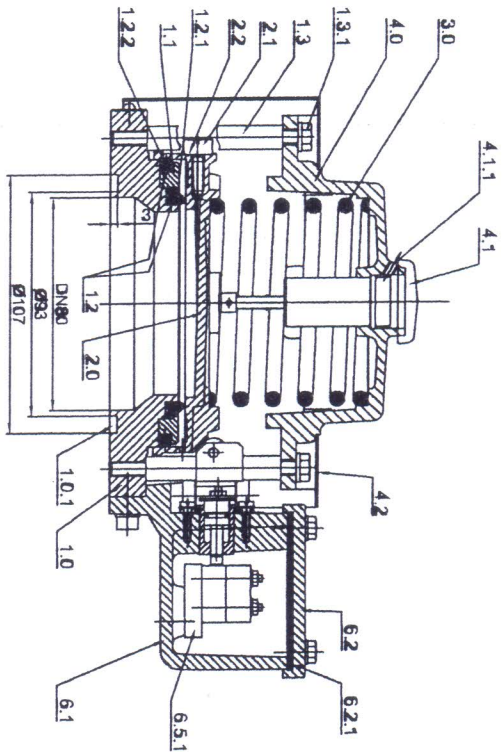
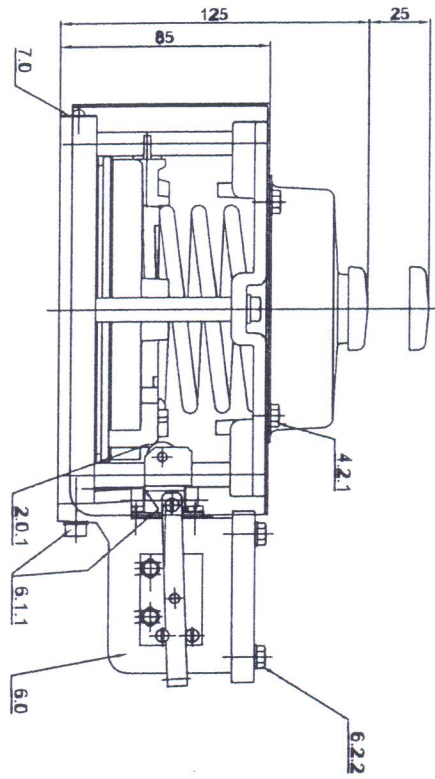
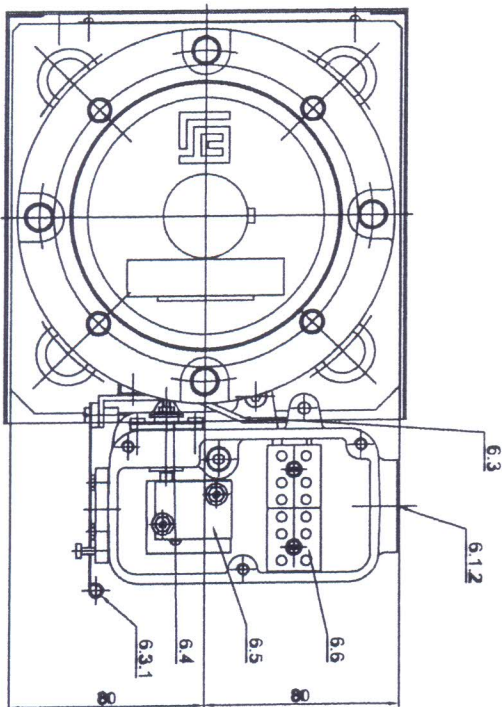
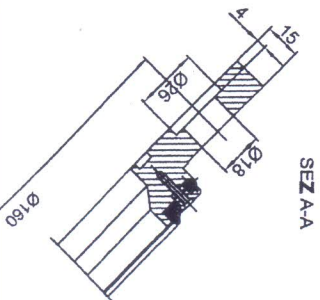


Proforma invoice

Seller(name, address)* CEDASPE-Srl 20098-SAN GUILIANO MILANESE – ITALY 039-02- 28204422		Proforma Invoice number*22-000788					
		Proforma Invoice date (2022-12-25)*		Validity date of P/I (2023-12-25)*			
		Buyer's Commercial Card No:10102510120		Seller's reference			
		Buyer (name, address)* Iran Transfo Rey Parand industrial area,Teheran,Iran. Tel: 0098-021-56417954					
Freight forwarder (name, address)		Country of beneficiary *ITALY					
		Country of origin *ITALY		Place of destination *Tehran			
		Terms of delivery * relevant location CPT Tehran					
partial shipment: allowed <input type="checkbox"/> not allowed <input checked="" type="checkbox"/>							
Transport mode and means	Port/airport of loading Istanbul	Terms of payment * T/T		Transaction currency *EURO			
Port/airport of discharge	Final delivery place Tehran – Costum						
Shipping marks, Transport unit ID	No. and kind of packages	Shipping description of goods	Commodity	Total gross wt(kg)	Total cube (m3)		
				1350			
No, and Kind of standard:		IEC 641-1					
Item*	Item description*	Origin*	commodity code	Net wt (kg)*	Quantity*	Unit price *	Amount *
1	Pressure Reliefe Device	ITALY	84814000		200 pcs	265	53000
Total net wt(kg) 1150						Sub Total amount* 53000	
Note:						Discount	
						FREIGHT CHARGES 1500	
						OTHER CHARGES	
						TOTAL AMOUNT * 54500 EURO	
				NAME OF SIGNATORY			
It is hereby certified that this proforma invoice shows the actual price of the goods described, that no other proforma invoice has been or will be issued, and that all particulars are true and correct				PLACE AND DATE OF ISSUE(2023-12-25)			
				SEAL AND SIGNATURE			

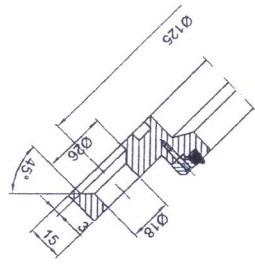
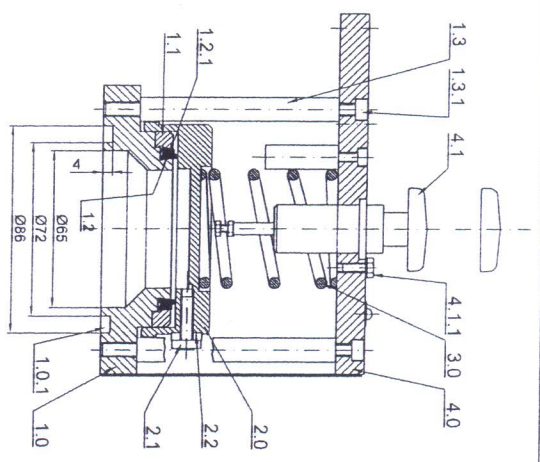
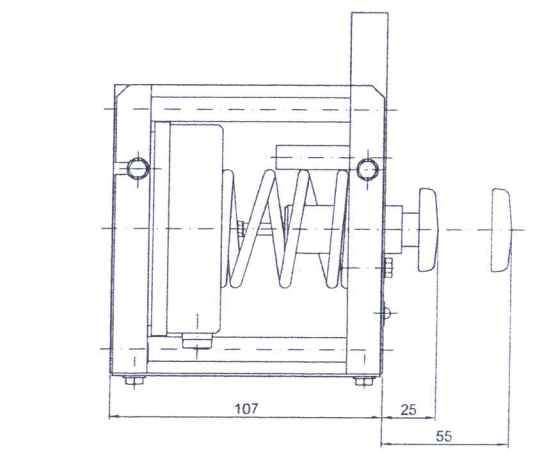


157 (VS 090 K)

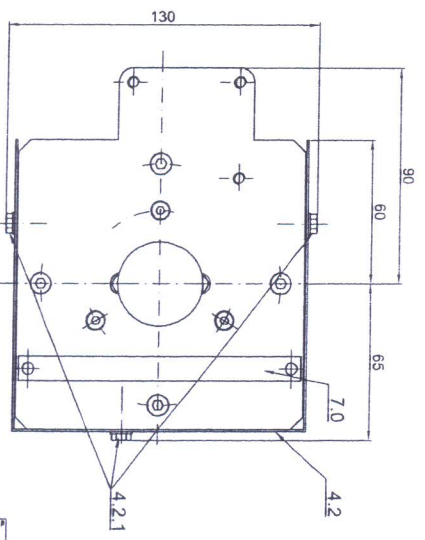
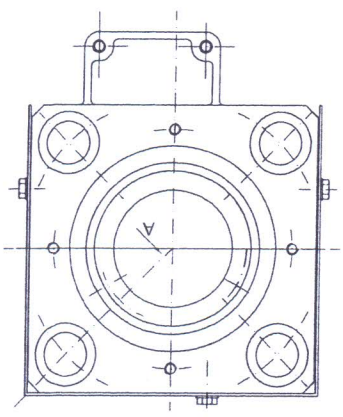


Mod. 12
 Serie VS
 Data
 Press.
 Caratteristiche

	ELETTRONDIPISTRIA S.p.A. 20032 CORCHIANO (MI) 10.090.40	Mod. 12 Serie VS Data Press. Caratteristiche
	10.090.40	15

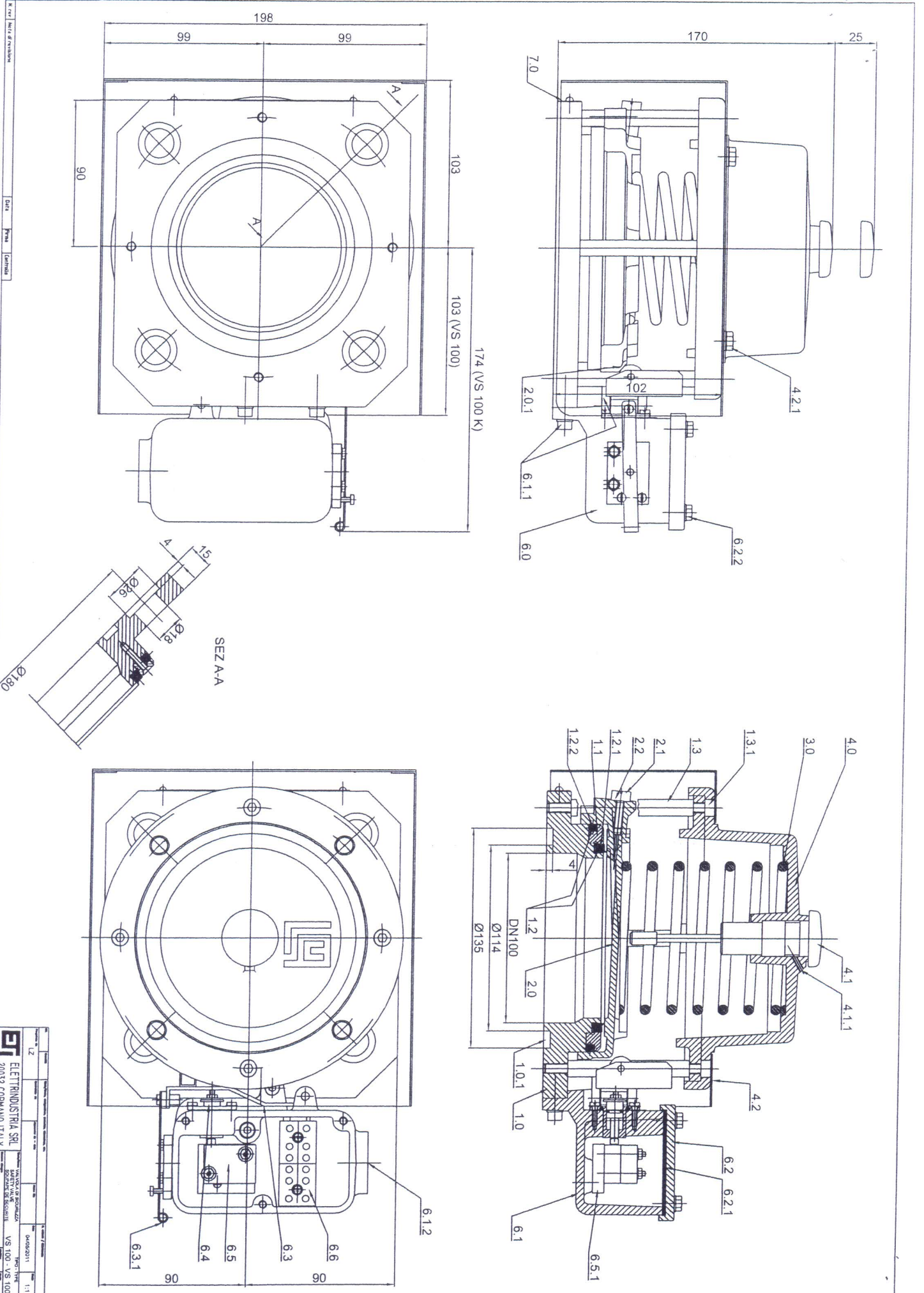


SEZ A-A



№	№	№	№	№	№
1	1	1	1	1	1
1	1	1	1	1	1

		ELETTRINDUSTRIA SRL VIA S. GIUSEPPE, 10 20032 CORNANO (MI) ITALY		10.050.30	
L2	04/05/2011	1:1	A	VASCO 050	



Project	10.100.40	Revision	1.1
Client	SAFETY VALVE	Project	10.100.40
Manufacturer	ELETTROINDUSTRIA SRL	Product	VS 100 - VS 100 K
Address	20032 CORCHIANO ITALY	Material	VS 100 - VS 100 K
Phone	10.100.40	Part	VS 100 - VS 100 K
Fax		Accessories	
Website		Options	
Logo		Comments	